

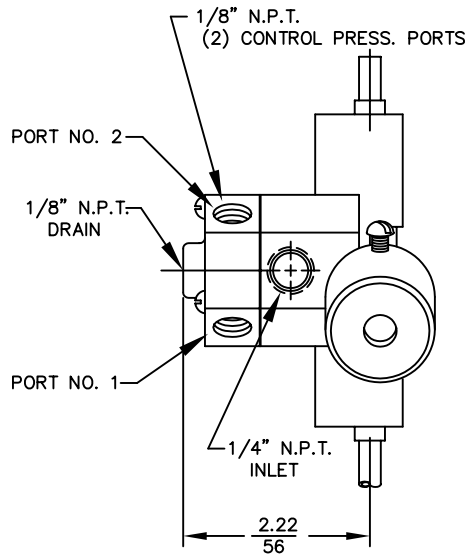
# FLOAT OPERATED LEVEL CONTROL

REPAIR PARTS KITS	
DESCRIPTION	PART NO.
PILOT CONTROL REPAIR PARTS INCLUDES ITEM NO. 3 THRU 7	1074019 (348-IAB)

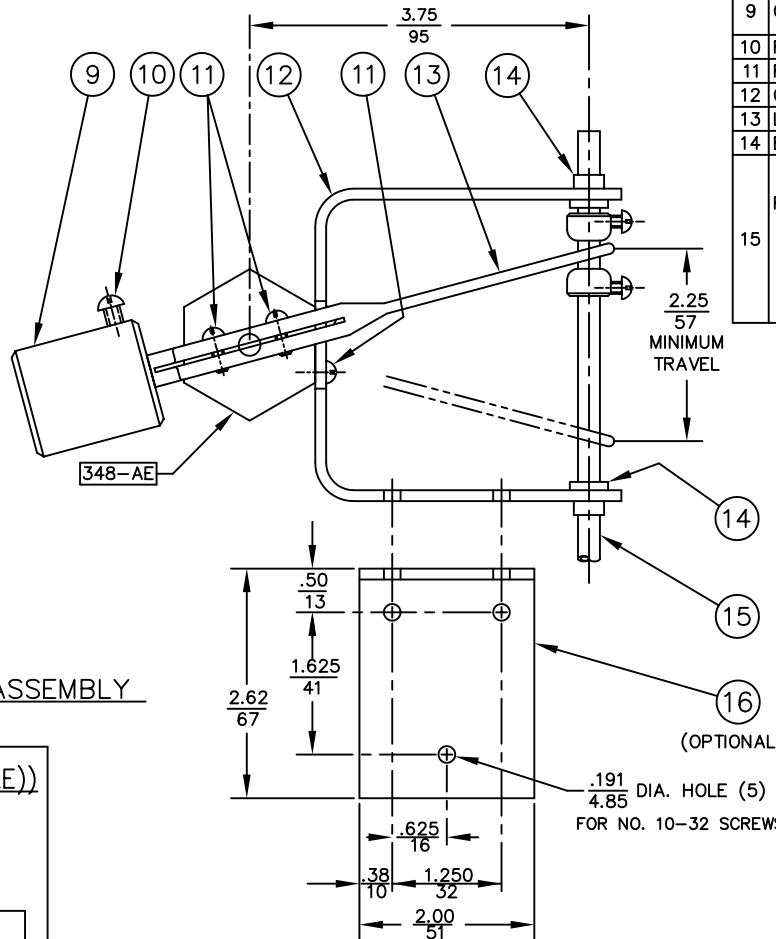
LEVEL CONTROL ASSEMBLY	FLOAT ROD ASSEMBLY
1074042 (348LC)	1074020 (348-K) (BRASS - 36")
1074044 (348LCK)	1074026 (348-KK) (BRASS - 54")
1074045 (348LCP)	1074029 (348-KP) (P.V.C. - 36")
1074046 (348LCS)	1074030 (348-KS) (STN. ST. - 36")
1074043 (348LCB)	1074028 (348-KL) (BR WELL - 36")
1074047 (348LCX)	NO FLOAT OR ROD INCL.

NO.	DESCRIPTION	PART NO.	QTY.
PILOT CONTROL ASSEMBLY (348-AE)			
1	RD. HD. MACH. SCREW (6-32 X 7/8)	1075759 (SCS-0075)	3
2	BACKPLATE	1073991 (348-A)	1
3	BACKPLATE GASKET	1074842 (48006)	1
4	STEMPLATE ASSEMBLY	1074011 (348-CBA)	1
5	SPRING	1074822 (48-M)	1
6	RETAINER WASHER	1074074 (41-F)	1
7	O-RING	1071667 (ORB-010)	1
8	BONNET ASSEMBLY	1074008 (348-BJ)	1

	PORT 1	PORT 2
FLOAT UP	PRESSURED	VENTED
FLOAT DOWN	VENTED	PRESSURED



LEVEL CONTROL ASSEMBLY



LEVEL CONTROL ASSEMBLY				
9	COUNTERWEIGHT	SEE DWG NO. 1078195	1	
10	RD. HD. MACH. SCREW (8-32 X 1/2)	1072375 (SCS-0083)	1	
11	RD. HD. MACH. SCREW (6-32 X 3/8)	1072371 (SCS-0070)	4	
12	GUIDE BRACKET	1074012 (348-D)	1	
13	LEVER	1074034 (348-S)	1	
14	BUSHING	1074016 (348-G)	2	
15	FLOAT ROD ASS'Y. (SEE DWG NO. 1078195 FOR PARTS LIST)	BRASS (36")	1074020 (348-K)	1
		BRASS (54")	1074026 (348-KK)	
		P.V.C. (36")	1074029 (348-KP)	
		STN. STL. (36")	1074030 (348-KS)	
		STN. STL. (54")	1074027 (348-KKS)	
	BRASS(36"-BR WELL)	1074028 (348-KL)		
	BRASS(54"-BR WELL)	348-KKL		

FOR FLOAT ROD ASSEMBLY OPTIONS,  
SEE DRAWING NO. 1078195

FORM NO. 1078193

B	NUMBER	CONVERSION	1588	MSM	20DEC02
REV	DESCRIPTION	ECO	DWN	DATE	APVD

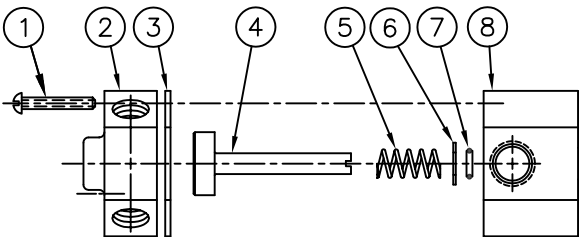


20580 Enterprise Avenue  
Brookfield, WI 53045  
888.784.9065  
www.Pentairwatertreatment.com

SERIES 348 LEVEL CONTROL  
FLOAT OPERATED VALVES

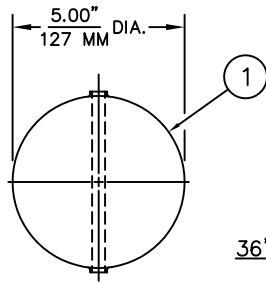
SCALE	DRAWN	DATE	DWG. NO.
N/A	JWB	17JUL01	1078194

PILOT CONTROL ASSEMBLY (1073992 (348-AE))

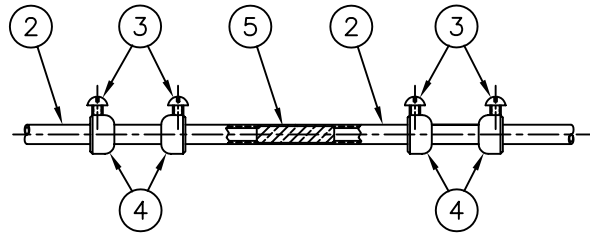


PRINTED IN U.S.A.

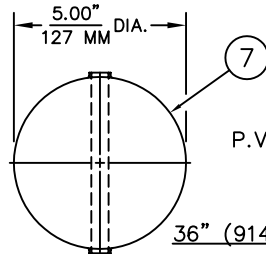
# V420 FLOAT ROD ASSEMBLIES



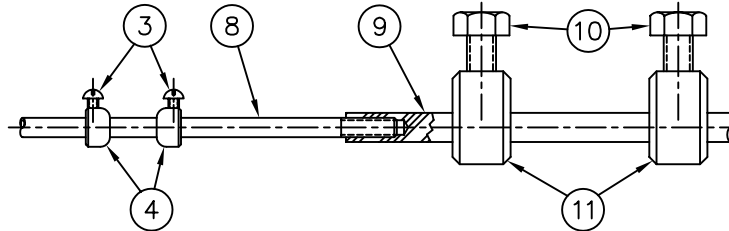
STANDARD  
POLYSTYRENE  
FLOAT ROD  
ASSEMBLY



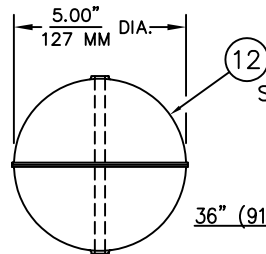
36" (914 MM) FLOAT ROD ASSEMBLY - STANDARD LENGTH [1074020 (348-K)]



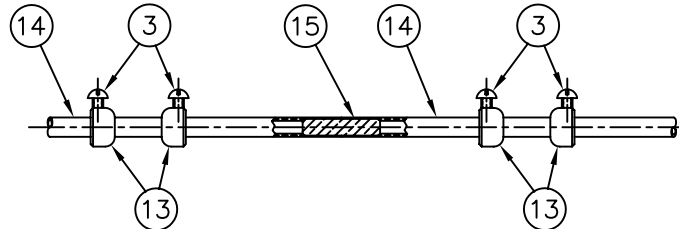
OPTIONAL  
P.V.C. FLOAT ROD  
ASSEMBLY



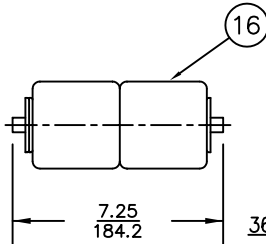
36" (914 MM) PVC FLOAT ROD ASSEMBLY - STANDARD LENGTH [1074029 (348-KP)]



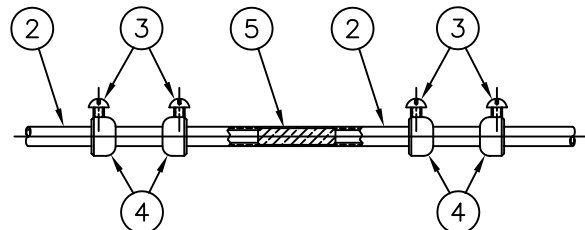
OPTIONAL  
STAINLESS STEEL  
FLOAT ROD  
ASSEMBLY



36" (914 MM) STAINLESS STEEL FLOAT ROD ASSEMBLY - STANDARD LENGTH [1074030 (348-KS)]



OPTIONAL  
BRINE WELL  
FLOAT ROD  
ASSEMBLY



36" (914 MM) BRINE WELL FLOAT ROD ASSEMBLY - STANDARD LENGTH [1074028 (348-KL)]

OPTIONAL 36" BRINE WELL FLOAT ROD ASSEMBLY (1074028 (348-KL))

16	SPONGE FLOAT ASSEMBLY	1074031 (348-L)	1
2	FLOAT ROD (BRASS)	1074023 (348-KC)	2
3	RD. HD. MACH. SCREW (6-32 X 1/4)	1072370 (SCS-0069)	4
4	STOP (BRASS)	1074017 (348-H)	4
5	STUD (BRASS)	1074022 (348-KB)	1
N.S.	COUNTERWEIGHT	1074015 (348-FF)	1

OPTIONAL 54" BRINE WELL FLOAT ROD ASSEMBLY (348-KKL)

16	SPONGE FLOAT ASSEMBLY	1074031 (348-L)	1
2	FLOAT ROD (BRASS)	1074023 (348-KC)	3
3	RD. HD. MACH. SCREW (6-32 X 1/4)	1072370 (SCS-0069)	4
4	STOP (BRASS)	1074017 (348-H)	4
5	STUD (BRASS)	1074022 (348-KB)	2
N.S.	COUNTERWEIGHT	1074015 (348-FF)	1

NO.	DESCRIPTION	PART NO.	QTY.
<b>STANDARD 36" FLOAT ROD ASSEMBLY (1074020 (348-K))</b>			
1	FLOAT (POLYSTYRENE)	1073996 (348-AQ)	1
2	FLOAT ROD (BRASS)	1074023 (348-KC)	2
3	RD. HD. MACH. SCREW (6-32 X 1/4)	1072370 (SCS-0069)	4
4	STOP (BRASS)	1074017 (348-H)	4
5	STUD (BRASS)	1074022 (348-KB)	1
N.S.	COUNTERWEIGHT	1074014 (348-F)	1
<b>OPTIONAL 54" FLOAT ROD ASSEMBLY (1074026 (348-KK))</b>			
1	FLOAT (POLYSTYRENE)	1073996 (348-AQ)	1
2	FLOAT ROD (BRASS)	1074023 (348-KC)	3
3	RD. HD. MACH. SCREW (6-32 X 1/4)	1072370 (SCS-0069)	4
4	STOP (BRASS)	1074017 (348-H)	4
5	STUD (BRASS)	1074022 (348-KB)	2
N.S.	COUNTERWEIGHT	1074015 (348-FF)	1
<b>OPTIONAL 36" PVC FLOAT ROD ASSEMBLY (1074029 (348-KP))</b>			
3	RD. HD. MACH. SCREW (6-32 X 1/4)	1072370 (SCS-0069)	2
4	STOP (PVC)	1074017 (348-H)	2
7	FLOAT (PVC)	1073997 (348-AR)	1
8	UPPER FLOAT ROD (PVC)	1073999 (348-AV)	1
9	LOWER FLOAT ROD (PVC)	1073995 (348-AP)	1
10	HEX HD. CAP SCREW (3/8-16 X 1")	1072352 (SCP-0021)	2
11	COLLAR	1073993 (348-AH)	2
N.S.	COUNTERWEIGHT	1074014 (348-F)	1
<b>OPTIONAL 36" STN. STL. FLOAT ROD ASSEMBLY (1074030 (348-KS))</b>			
3	RD. HD. MACH. SCREW (6-32 X 1/4)	1072370 (SCS-0069)	4
12	FLOAT (STN. STL.)	1073998 (348-AS)	1
13	STOP	1074018 (348-HC)	4
14	FLOAT ROD (STN. STL.)	1074024 (348-KD)	2
15	STUD (STN. STL.)	1074025 (348-KE)	1
N.S.	COUNTERWEIGHT	1074014 (348-F)	1
<b>OPTIONAL 54" STN. STL. FLOAT ROD ASSEMBLY (348-KSK)</b>			
3	RD. HD. MACH. SCREW (6-32 X 1/4)	1072370 (SCS-0069)	4
12	FLOAT (STN. STL.)	1073998 (348-AS)	1
13	STOP	1074018 (348-HC)	4
14	FLOAT ROD (STN. STL.)	1074024 (348-KD)	3
15	STUD (STN. STL.)	1074025 (348-KE)	2
N.S.	COUNTERWEIGHT	1074014 (348-F)	1

FORM NO. 1078193

B	NUMBER	CONVERSION	1588	MSM	20DEC02
REV	DESCRIPTION	ECO	DWN	DATE	APVD
		20580 Enterprise Avenue Brookfield, WI 53045 888.784.9065 www.Pentairwatertreatment.com			
SERIES 420 DIAPHRAGM VALVES FLOAT ROD ASSEMBLIES					
SCALE	DRAWN	DATE	DWG. NO.		
N/A	JWB	17JUL01	1078194		